

ECM24 Range

24 Watt Multi Head Range

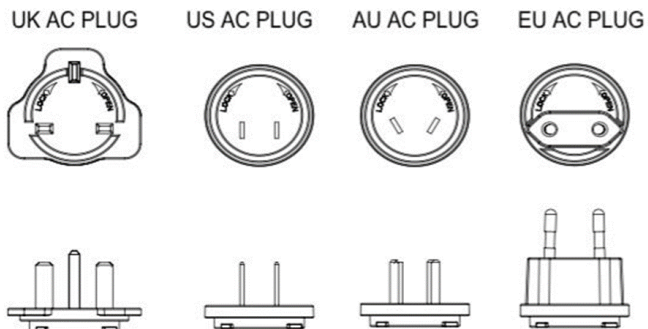
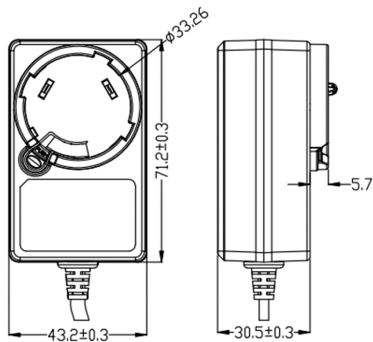


Features :

- Interchangeable AC Heads
- DOE Level VI Efficiency
- Overcurrent Protection
- Short Circuit Protection
- RoHs Compliant
- 1 Year Warranty
- EN62368 Approved

Model	ECM-24-05	ECM-24-09	ECM-24-12	ECM-24-24	
Output	DC Voltage	5vdc	9vdc	12vdc	24vdc
	Rated Current	3amp	2.5amp	2amp	1amp
	Current Range	0-3amp	0-2.5amp	0-2amp	0-1amp
	Rated Power	15 Watt	22.5 Watt	24 Watt	24 Watt
	Ripple & Noise	240mVp-p max	240mVp-p max	240mVp-p max	240mVp-p max
	Output Regulation	±5%	±5%	±5%	±5%
Output Connector	2.1x5.5x12mm C+ve	2.1x5.5x12mm C+ve	2.1x5.5x12mm C+ve	2.1x5.5x12mm C+ve	
Input	Voltage Range	90-264vac	90-264vac	90-264vac	90-264vac
	Frequency Range	47-63Hz	47-63Hz	47-63Hz	47-63Hz
	Input Current	1.2amp Max	1.2amp Max	1.2amp Max	1.2amp Max
	Inrush Current	40amp Max	40amp Max	40amp Max	40amp Max
	Standby Power	0.1W Max	0.1W Max	0.1W Max	0.1W Max
	Leakage Current	0.25amp Max	0.25amp Max	0.25amp Max	0.25amp Max
Input Connector	UK, EU, US & AUS AC Heads	UK, EU, US & AUS AC Heads	UK, EU, US & AUS AC Heads	UK, EU, US & AUS AC Heads	
Environment	Operating Temp	0°C~40°C	0°C~40°C	0°C~40°C	0°C~40°C
	Cooling	Convection	Convection	Convection	Convection
	Temperature Coefficient	0.05%/°C	0.05%/°C	0.05%/°C	0.05%/°C
	Humidity	5~95%RH(non-condensing)	5~95%RH(non-condensing)	5~95%RH(non-condensing)	5~95%RH(non-condensing)
Storage Temp	-20°C~+80°C	-20°C~+80°C	-20°C~+80°C	-20°C~+80°C	
Safety & EMC	Safety Standards	UL/CUL 62368-1, GS/TUV EN62368-1, SAA AS/NZ62368-1			
	EMC Emissions	EN55032,EN55035, FCC Part 15 Class B			

Mechanical Specification



Ecopac UK Power Ltd
 Unit 4 Ridgeway
 Crendon Industrial Area
 Long Crendon
 Buckinghamshire, HP18 9BF