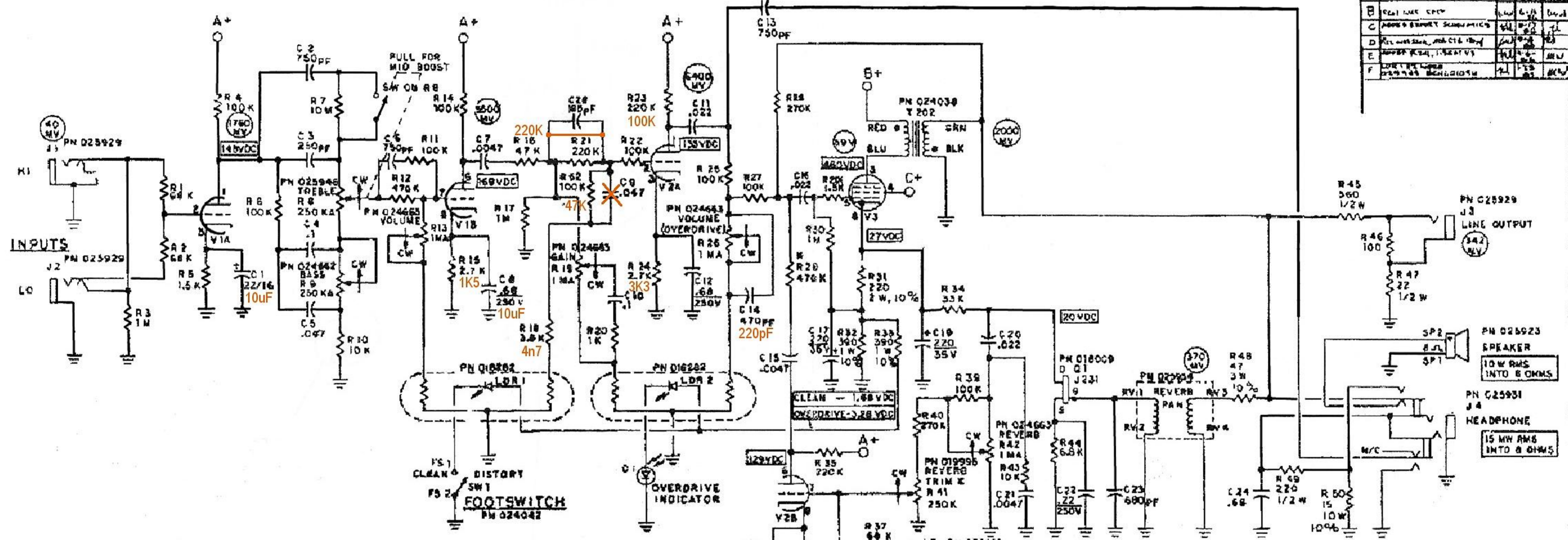


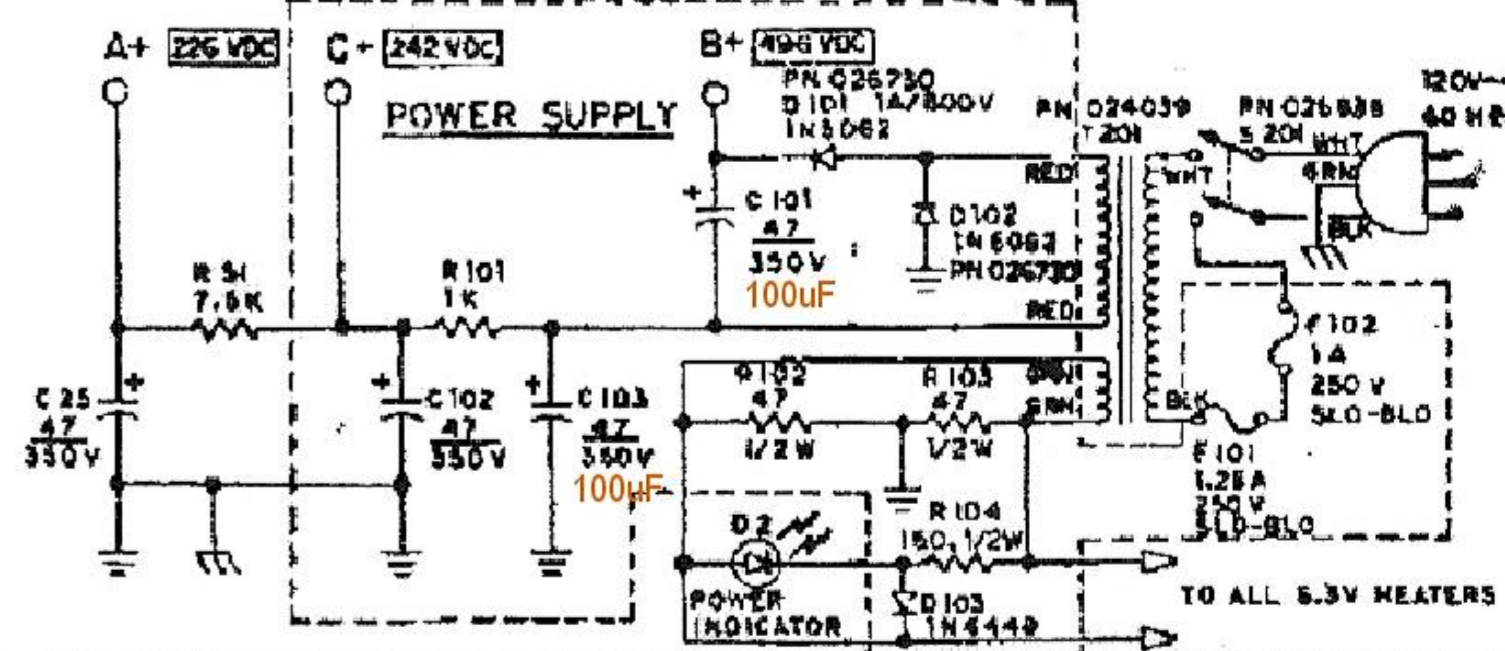
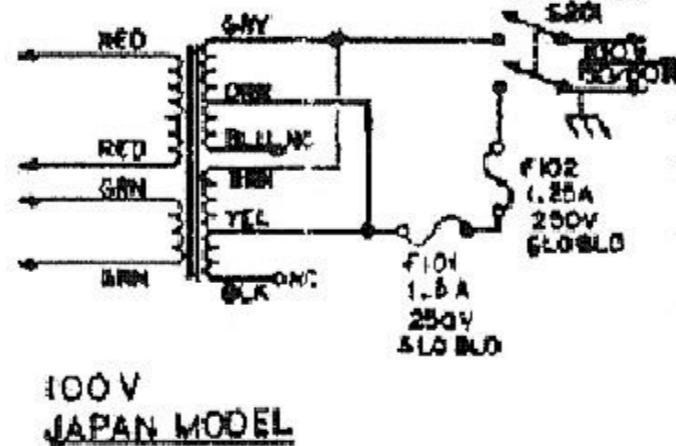
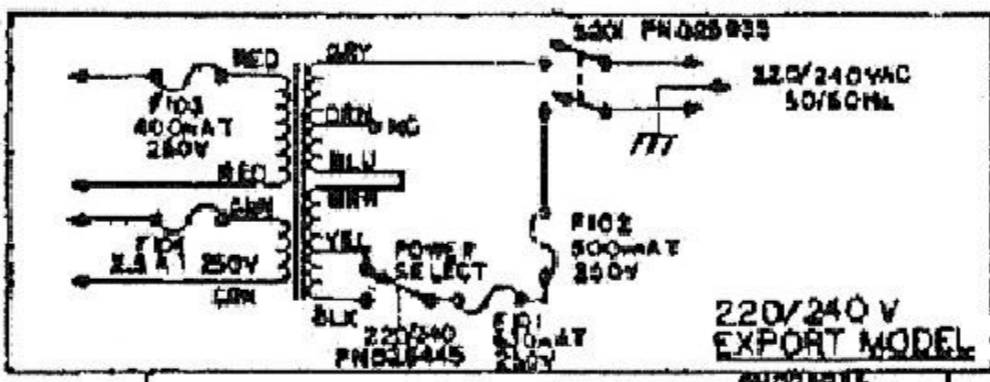
REV	DESCRIPTION	BY	DATE	APPR
A	Revised	JL	7/58	ML
B	120V LINE COPY	JL	6-58	ML
C	ADDED BATTERY SCHEMATIC	JL	6-58	ML
D	REPLACED PARTS LIST	JL	6-58	ML
E	ADDED PARTS LIST	JL	6-58	ML
F	ADDED PARTS LIST	JL	6-58	ML



# Fender Champ 12 Amp Modifications

## Tweaks suggested by Phil Taylor of Effectrode

1. ALL RESISTORS 1/4 W, 5%.
  2. ALL CAPACITORS 400V MIN. EXCEPT AS NOTED.
  3. SIX DIGIT NUMBERS ARE FENDER PART NUMBERS.
  4. DC VOLTAGES READ TO GROUND WITH V.T.V.M., NO INPUT SIGNAL.
  5. MV AC VOLTAGES DENOTE TYPICAL 1KHZ SIGNAL WITH AMP SET IN CLEAN MODE. ALL CONTROLS SET TO 12 O'CLOCK, REVERB AND MID BOOST OFF.
- \* REVERB RETURN LEVEL CALIBRATION PROCEDURE: PARALLEL R29 (470K) WITH A 1MEG, 1/4W, 25% RESISTOR. PLUG HEADPHONES INTO HEADPHONE JACK, SET FRONT PANEL REVERB FULL CW, (TO 10), INPUT INSTRUMENT OR BATED TEST SIGNAL @ 1KHZ IN CLEAN MODE AND ADJUST TRIM R41 SO THAT AMPLIFIER WILL BE ON THE THRESHOLD OF OSCILLATION THROUGH THE REVERB. DISCONNECTION OF THE 1MEG RESISTOR ACROSS R29 SHOULD CAUSE THE OSCILLATION TO DECAY AWAY. THIS COMPLETES CALIBRATION.



SAMPLES OF FIRST ARTICLE PARTS MUST BE APPROVED BY FENDER ROBBERS PHONES & O ENCL BEFORE STARTING PRODUCTION			
REV	DESCRIPTION	BY	DATE
1	REVISED	JL	7/58
2	REVISED	JL	6-58
3	REVISED	JL	6-58
4	REVISED	JL	6-58
5	REVISED	JL	6-58
6	REVISED	JL	6-58
7	REVISED	JL	6-58
8	REVISED	JL	6-58
9	REVISED	JL	6-58
10	REVISED	JL	6-58

ONE ORIGINAL INSTRUMENT IS A PROPERTY OF FENDER, INC. ALL OTHERS ARE UNLAWFUL REPRODUCTIONS.

**SCHEMATIC - CHAMP 12**

DATE: 5-11-58  
 ISSUE: 7/4  
 PART NO: 025835  
 REV: F

NOTES: UNLESS OTHERWISE SPECIFIED